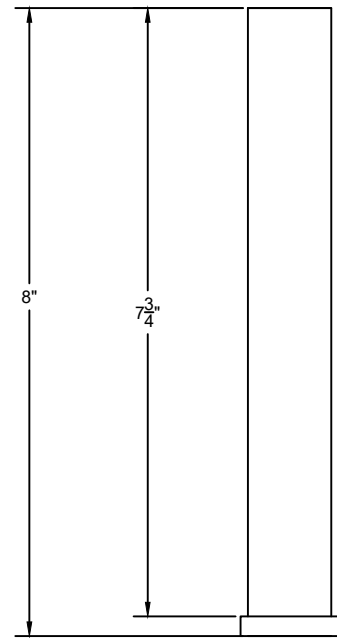
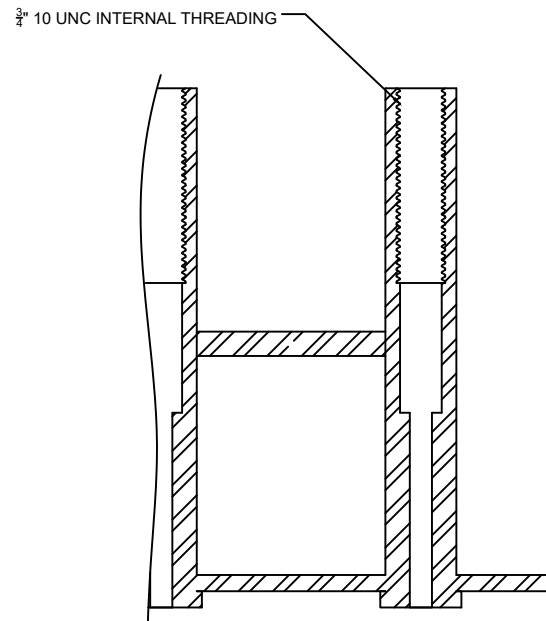


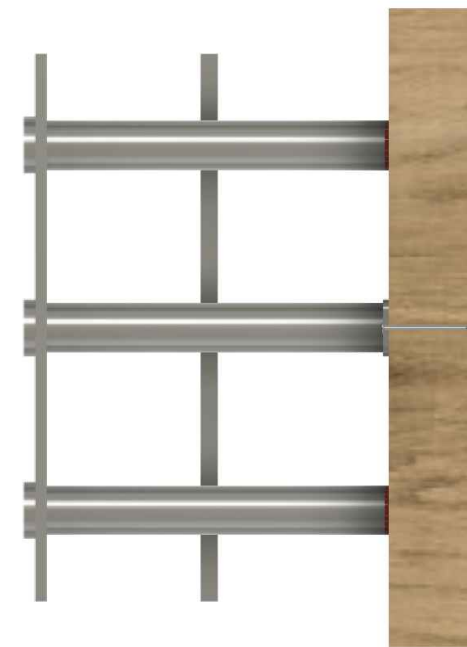
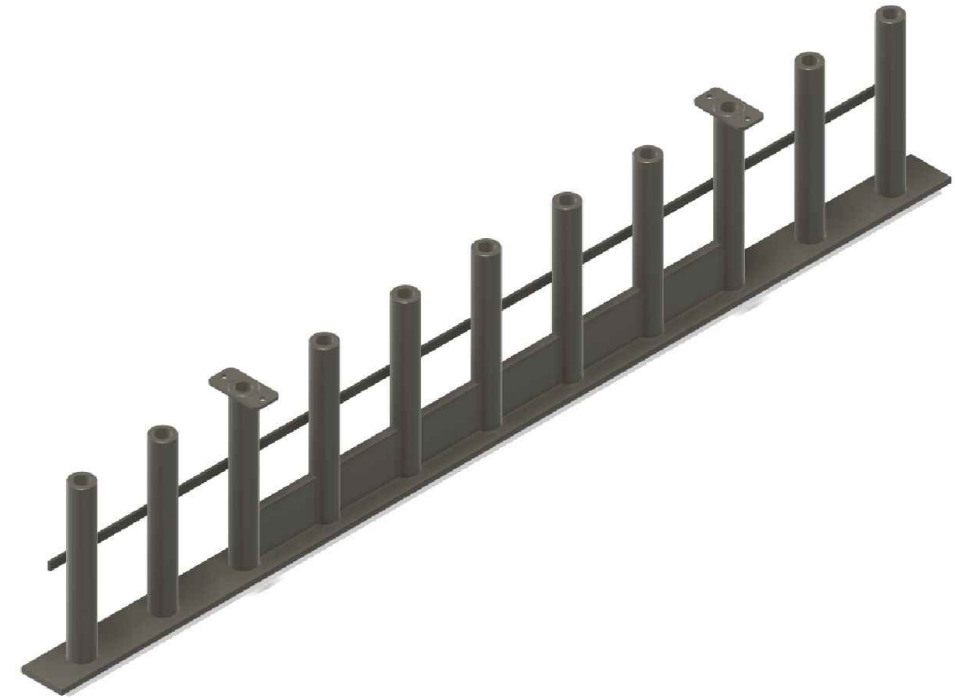
**TYPICAL RAIL SECTION**  
NTS



**TYPICAL INSERT**  
NTS



**SECTION A-A**  
NTS



DRAWN	GLL
CHECKED	FG
SCALE	NTS
DATE	05/01/24

**SK-1**  
SHEET 1 OF 1

**POST-TENSION  
PRODUCTS**

5275 45TH ST, VERO BEACH, FL, 32967

**CRH1**

EZPLACE CABLE RAIL - HIGH IMPACT  
90 DEGREE