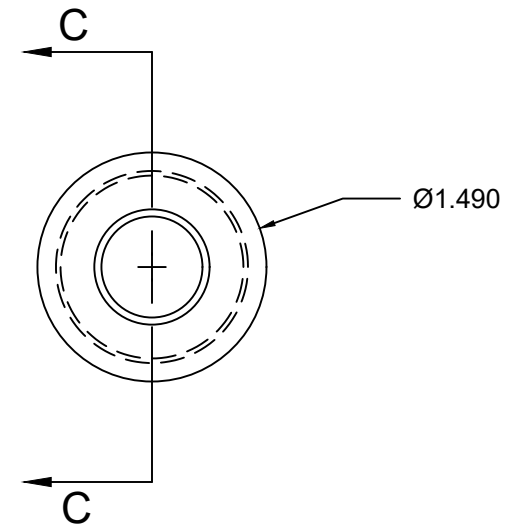
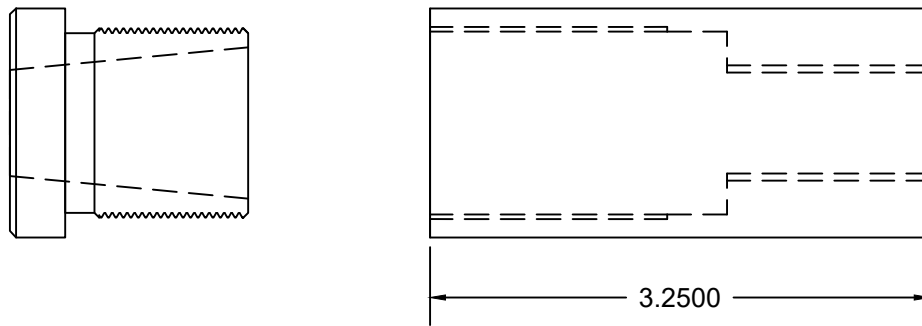


SECTION C-C



**POST-TENSION
PRODUCTS**

5265 45 ST BLDG #5 VERO BEACH FL 32967

NAA2

NON-ADJUSTABLE ANCHORS – ZINC PLATED, 3/4"
ALL THREAD

DRAWN	GLL
CHECKED	FG
SCALE	NTS

DATE: 06/05/24

DWG. NO.

SK-1

SHEET 1 OF 1